

ML255S Single Toilet Roll Holder



*ML255S & ML255B



*ML255_DESIGNER

Material Specifications

- #304 Stainless Steel Mounts
- Chrome Plated ABS Roller

Mounting

- Surface Mount Concealed Fix

Dimensions

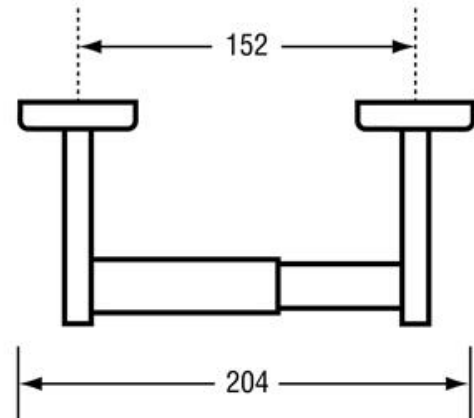
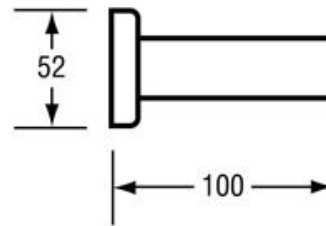
- 204mmW x 52mmH x 100mmD

Finish

- **ML255S:** Satin Stainless Steel
- **ML255B:** Polished Stainless Steel
- **ML255_DESIGNER:** Designer Black

Installation Guidelines

- *May be subject to Australian Building Code Regulations for height and location fixing and may be subject to placement as per architectural drawings. In all cases, this is the responsibility of the installer.*
 - *Fixings and anchors are not included with the units and are the responsibility of the installer to appropriately fix the unit to the wall.*
1. To remove wall mount bracket from the back of the toilet roll holder, loosen the set screw using an Allen key (not provided).
 2. Locate fixing position on wall or partition and mark using mounting holes, ensuring the toilet roll holder is level.
 3. Fix the wall mount bracket to the wall or partition using appropriate screws and wall plugs. Ensure that the bracket is facing the correct way (the bracket should be curving away from the wall and the prongs facing upwards).
 4. Slide the toilet roll holder onto the wall mount bracket, ensure the prongs are fitted into the allotted spaces on the back of the toilet roll holder.
 5. Check the unit is level and ensure the set screw is fully tightened to finish installation.



Features

- **Capacity:** Holds one standard toilet roll.



This product is AS1428.1 compliant (accessible compliant) when installed in accordance with the guidelines.

The photographs and line drawings of the products presented above are representational only. Metlam Australia Pty Ltd reserves the right to, and from time to time, make changes and improvements in design and dimensions.

Installation Guidelines Sheet



The technical recommendations contained in this document are necessarily of a general nature and should not be relied on for specific applications without first securing competent advice. Whilst Metlam Australia Pty Ltd has taken all reasonable steps to ensure the information contained herein is accurate and current, it does not warrant the accuracy or completeness of the information and does not accept liability for errors or omissions. Any Commercial product should only be installed by a competent tradesperson and serviced/maintained by knowledgeable janitorial staff or competent people. Metlam Australia accepts no responsibility for any damage to product, walls or fixtures due to incorrect installation or maintenance of any of their products.

The photographs and line drawings of the products presented above are representational only.
Metlam Australia Pty Ltd reserves the right to, and from time to time, make changes and improvements in design and dimensions.